








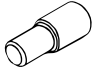



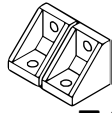





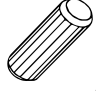
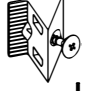
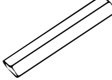
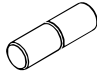
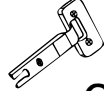
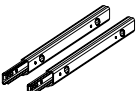
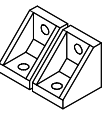
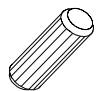
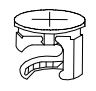
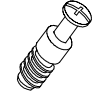

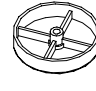


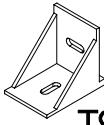
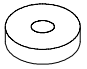

<b>±20/8mm</b>	<b>±10x50mm</b>	
<b>J14</b>	<b>O7</b>	<b>L9</b>
<b>8</b>	<b>2</b>	<b>2</b>

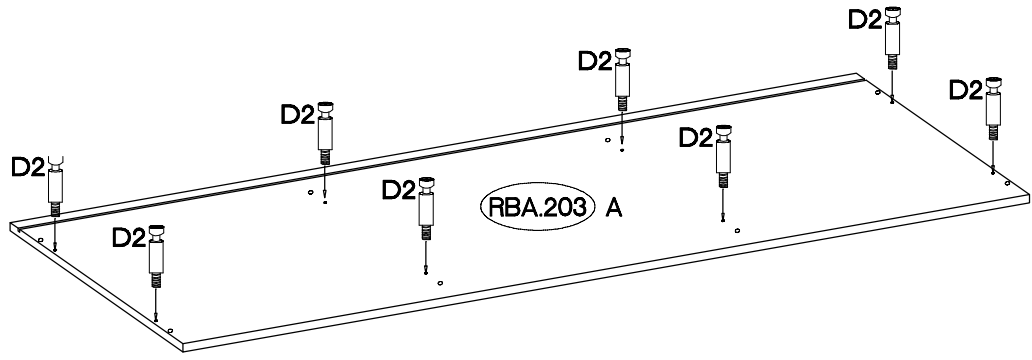
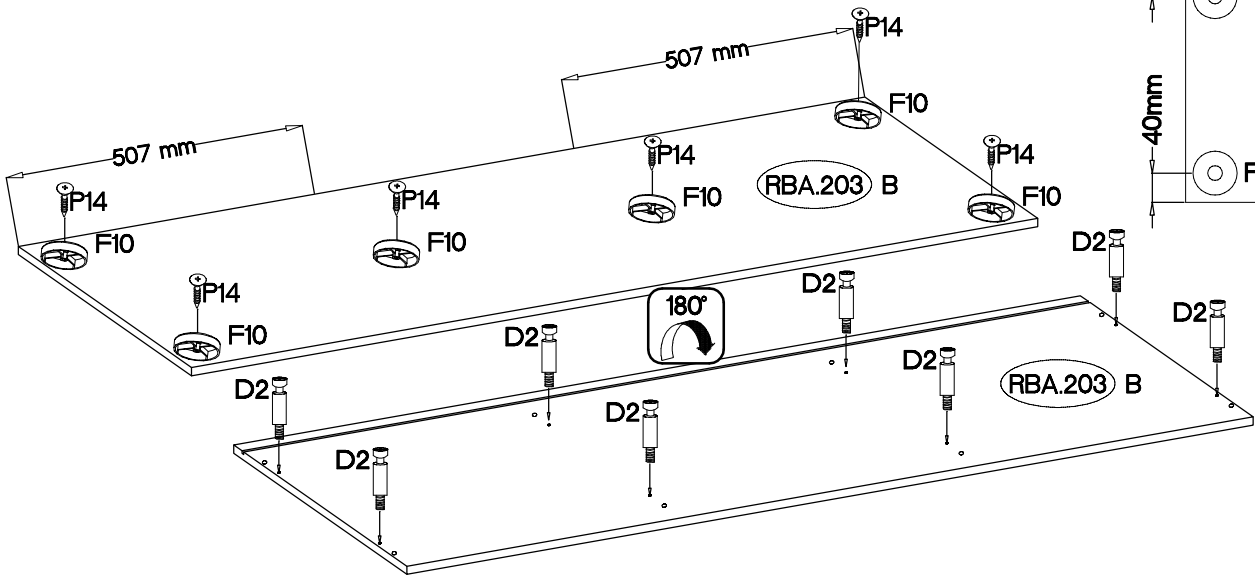
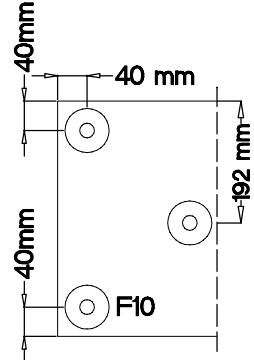
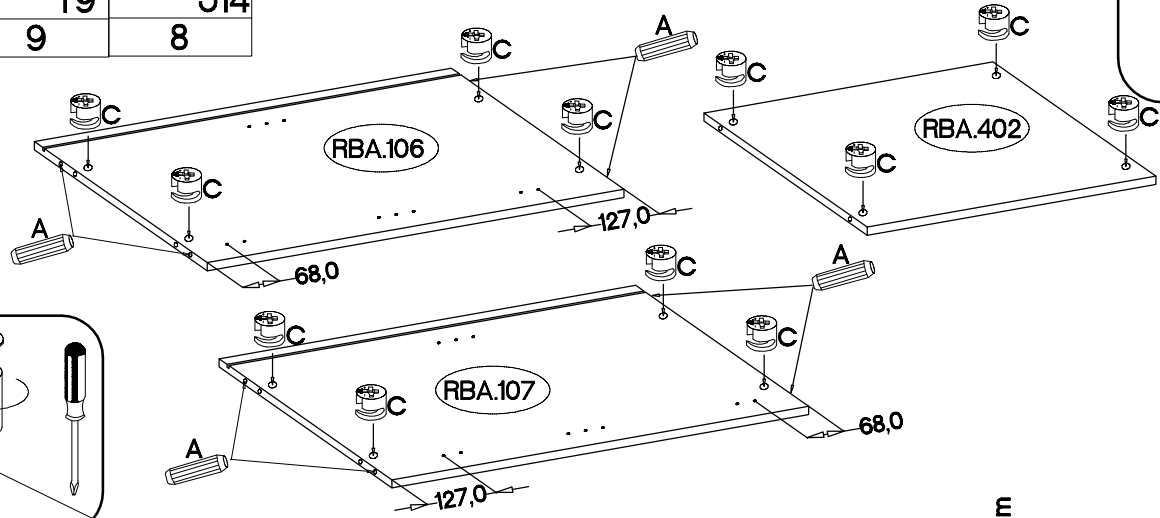
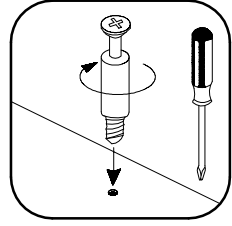
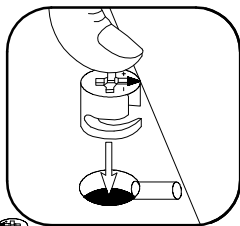
				
<b>±6,3x20mm</b>	<b>±6x42mm</b>			<b>±4.0x25mm</b>
<b>M3</b>	<b>B2</b>	<b>T9</b>	<b>F10</b>	<b>P14</b>
<b>8</b>	<b>4</b>	<b>9</b>	<b>6</b>	<b>6</b>

								
	<b>±3.5x13mm</b>	<b>±4.0x16mm</b>	<b>±4.0x30mm</b>		<b>M4x9mm</b>		<b>310/27mm</b>	
<b>L2</b>	<b>P5</b>	<b>P1</b>	<b>R2</b>	<b>J12</b>	<b>U1</b>	<b>O1</b>	<b>I</b>	<b>T4</b>
<b>10</b>	<b>10</b>	<b>26</b>	<b>8</b>	<b>4</b>	<b>4</b>	<b>1</b>	<b>2</b>	<b>2</b>

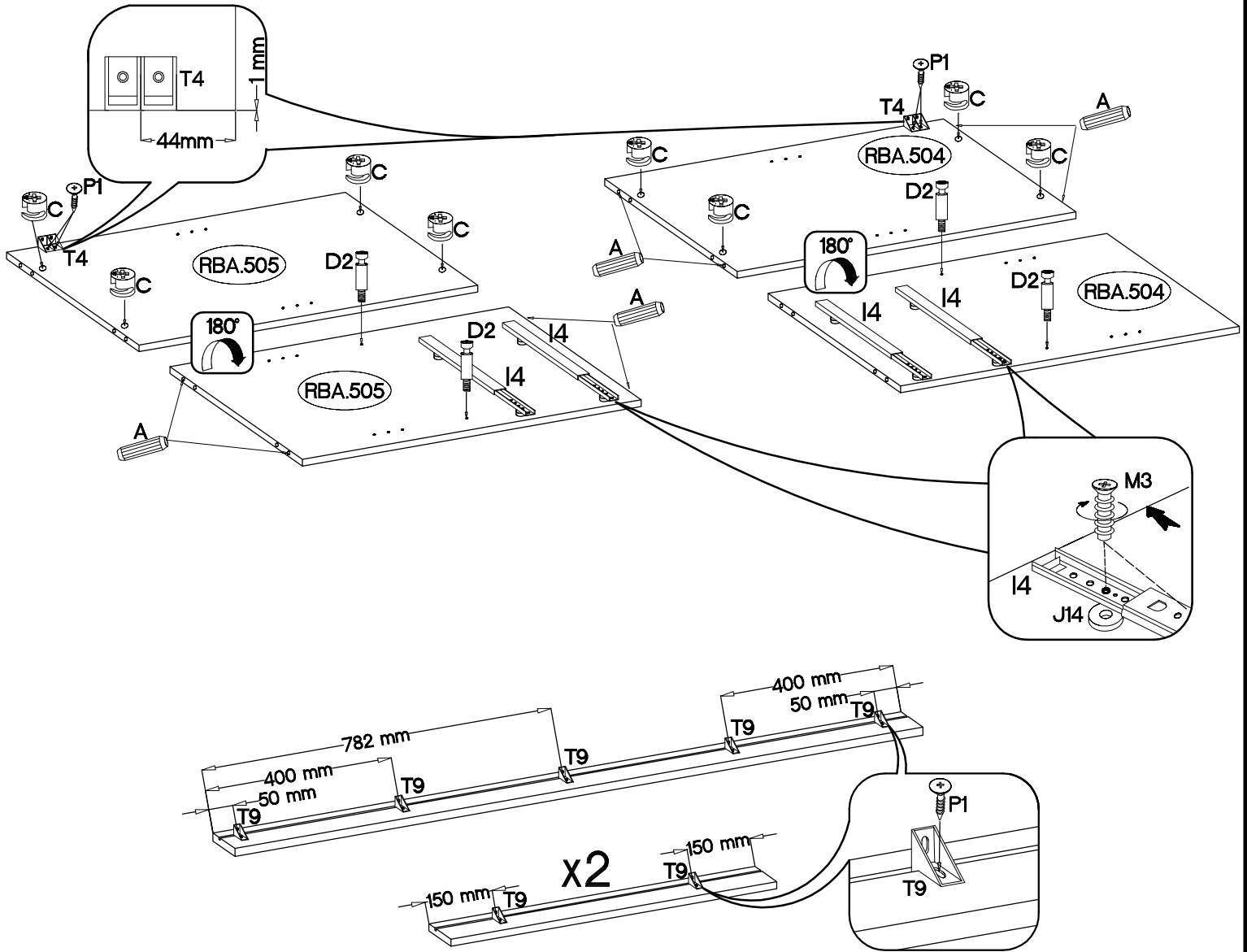
									
	<b>±3.0x20mm</b>	<b>L=20mm</b>	<b>±15/12mm</b>	<b>±8x30mm</b>		<b>L=128mm</b>	<b>±5/16mm</b>	<b>±35/0mm</b>	
<b>E</b>	<b>H</b>	<b>P7</b>	<b>D2</b>	<b>C</b>	<b>A</b>	<b>L</b>	<b>S1</b>	<b>J3</b>	<b>G</b>
<b>16</b>	<b>4</b>	<b>13</b>	<b>20</b>	<b>20</b>	<b>28</b>	<b>14</b>	<b>4</b>	<b>8</b>	<b>4</b>

1

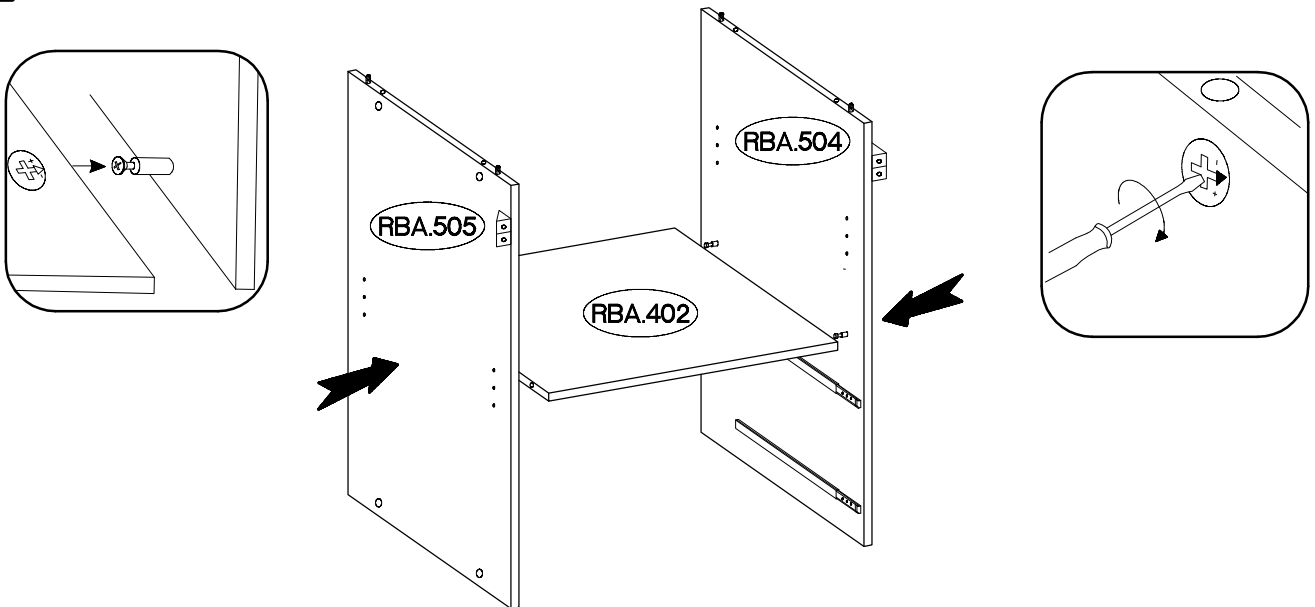
310/27mm  I	 T4	±8x30mm  A	±15/12mm  C	L=20mm  D2	±6,3x20mm  M3	 F10	±4.0x25mm  P14	±4.0x16mm  P1
2	2	16	20	20	8	6	6	13
 T9	±20/8mm  J14							
9	8							



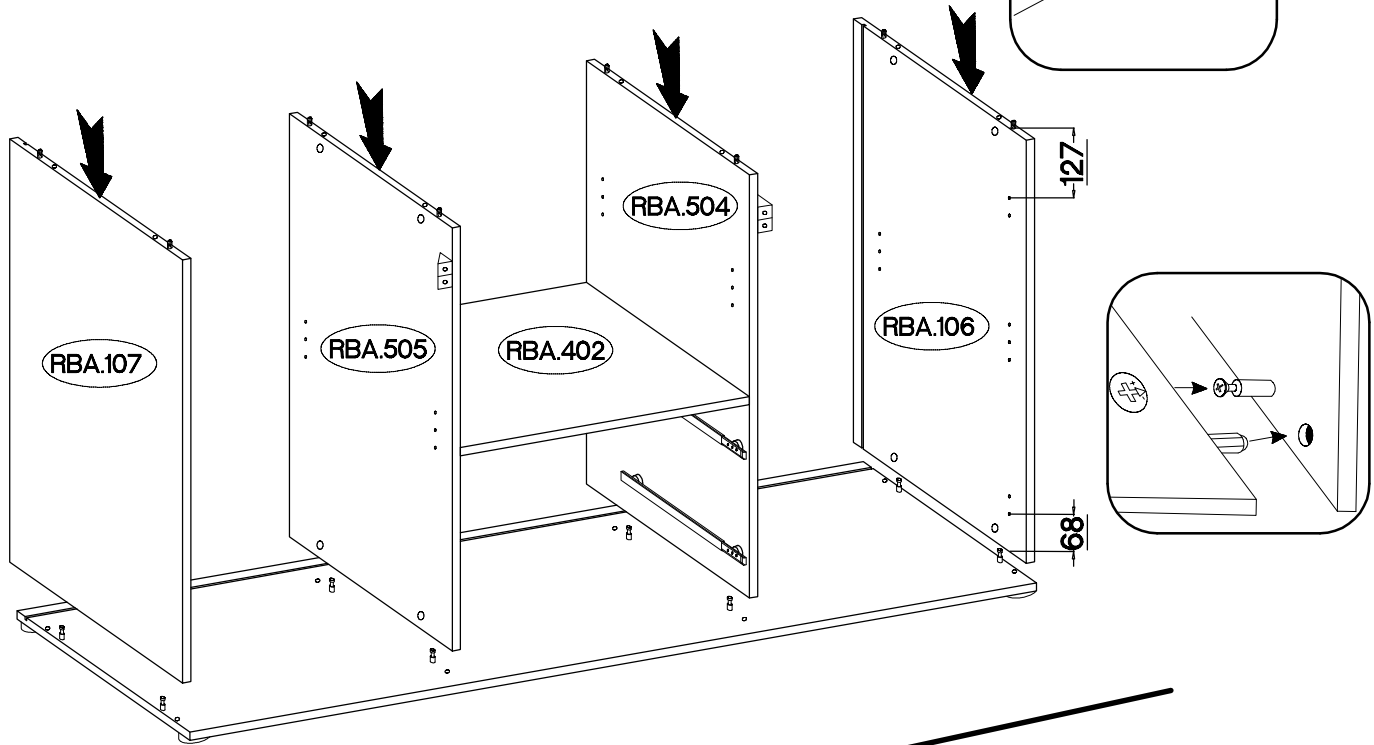
1



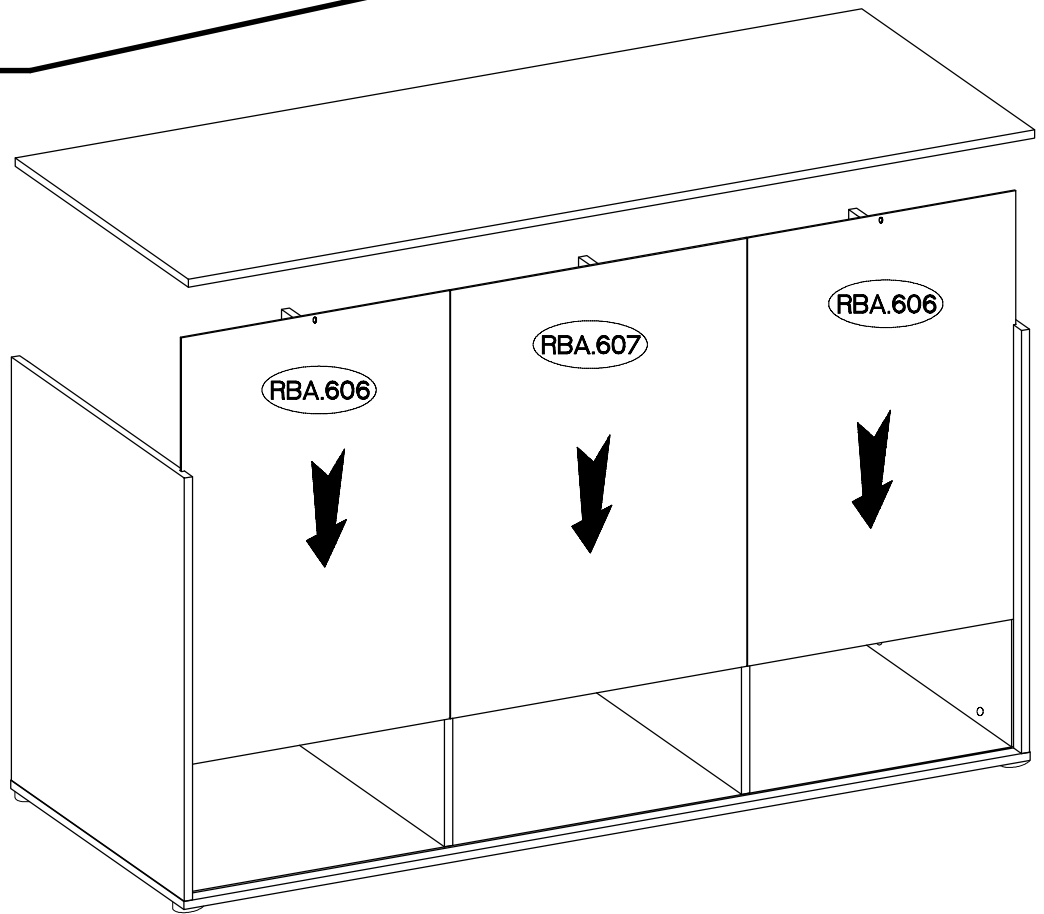
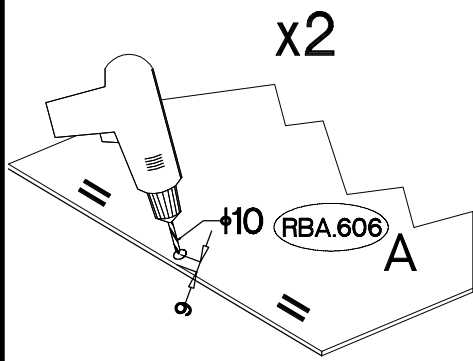
2



3



4



# 5

±3.0x20mm



P7

13



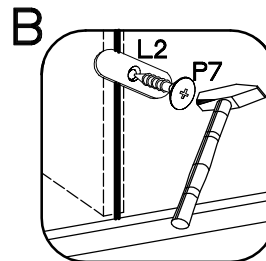
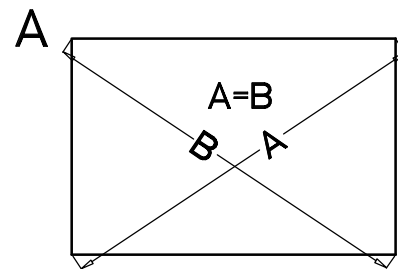
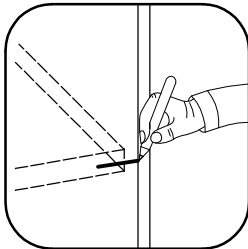
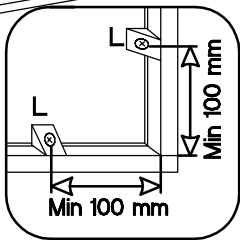
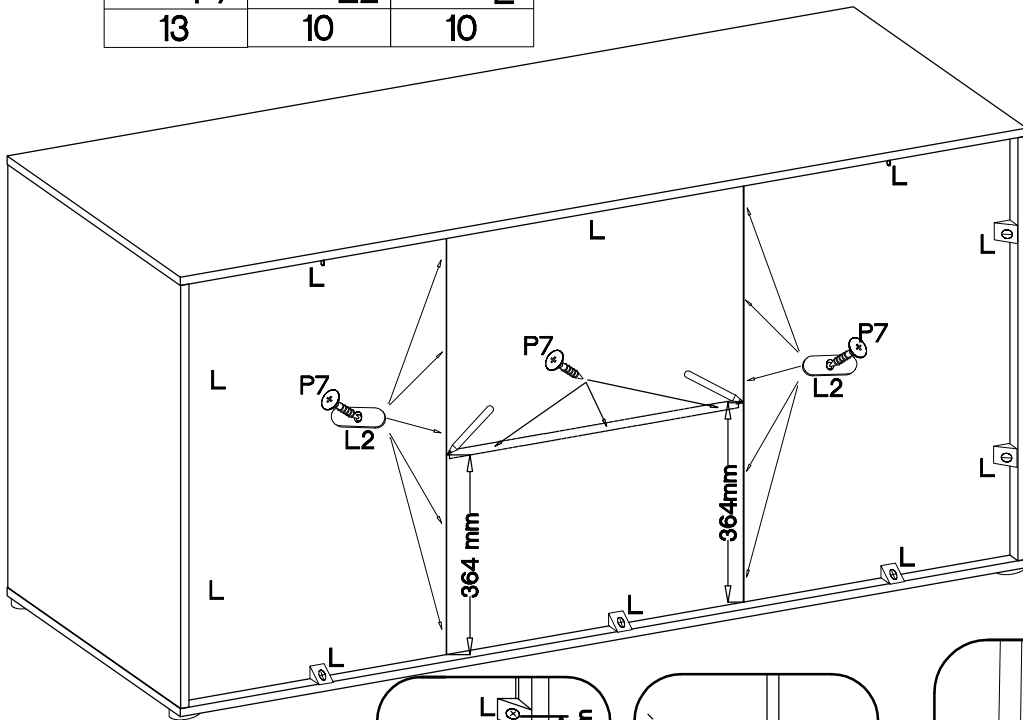
L2

10

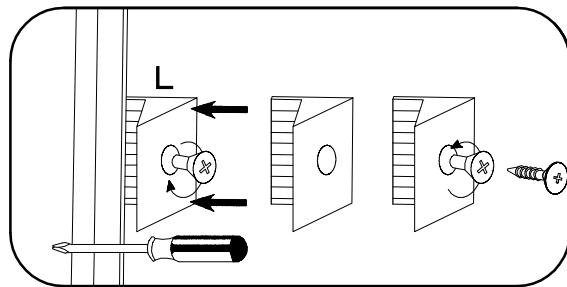


L

10



### C



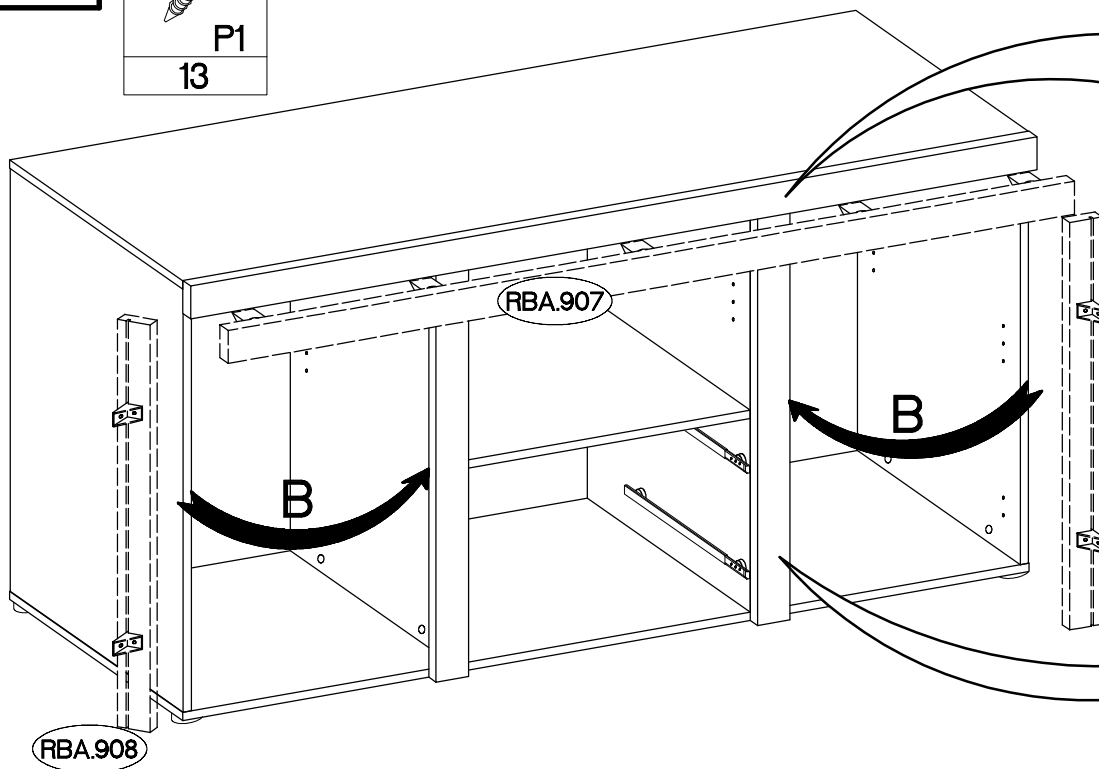
# 6

±4.0x16mm

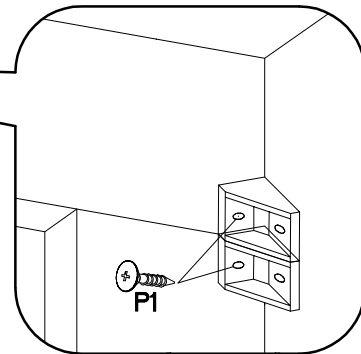


P1

13



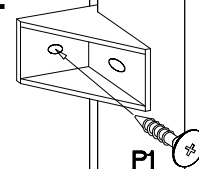
x2



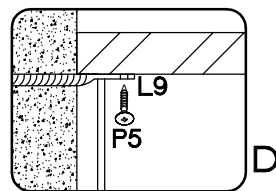
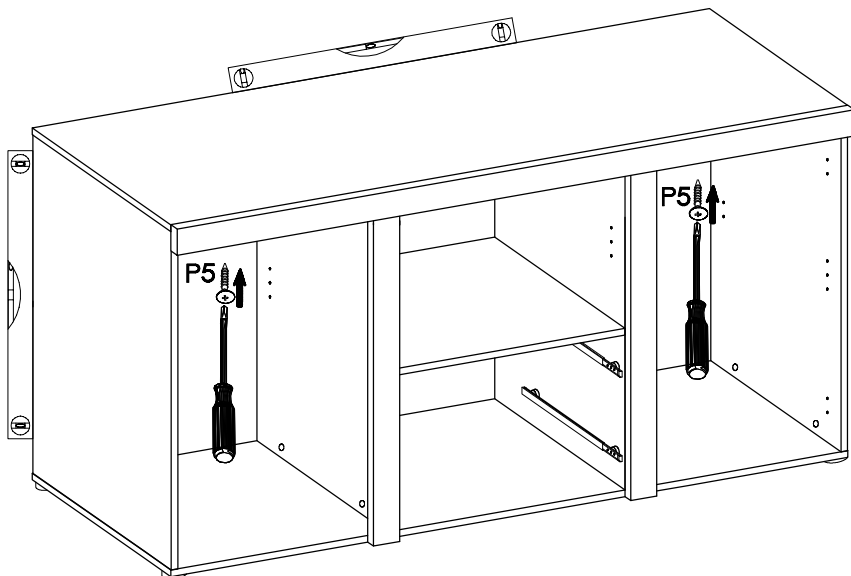
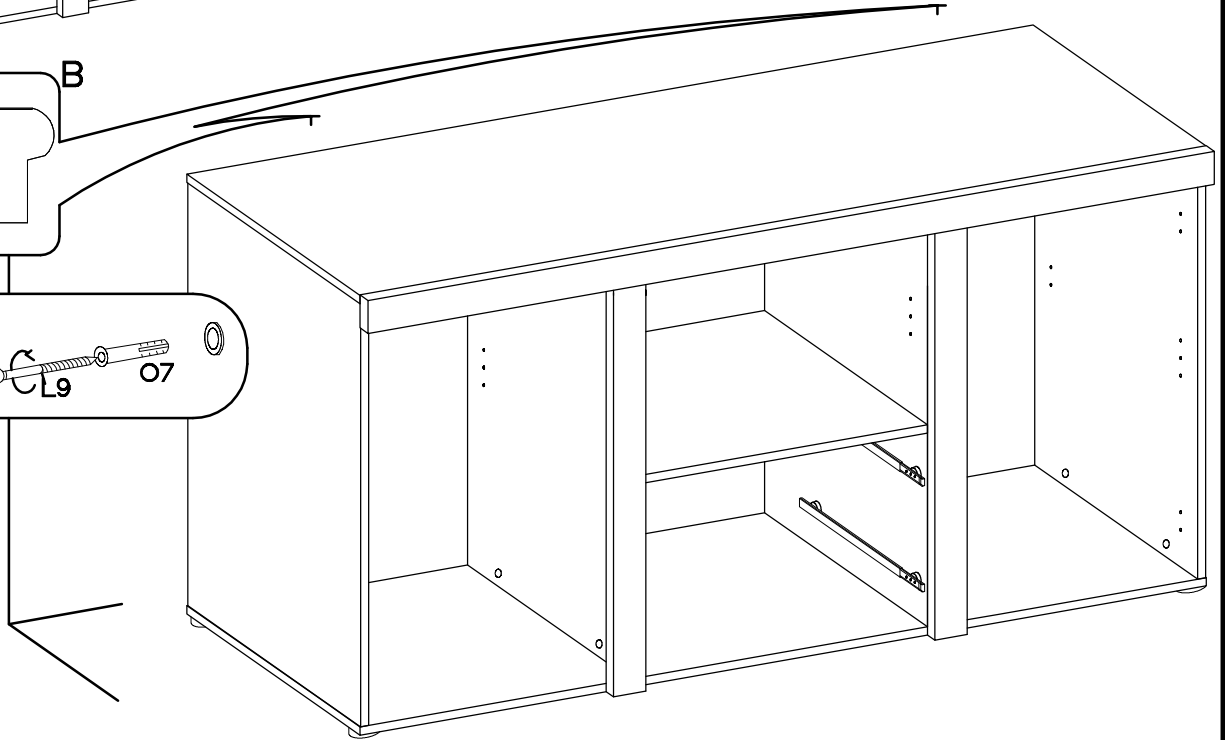
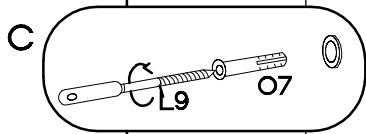
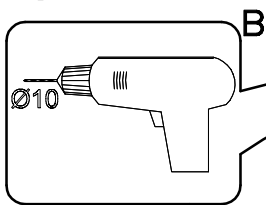
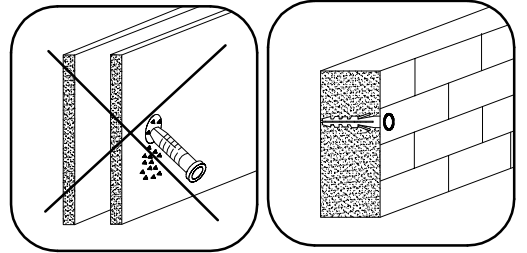
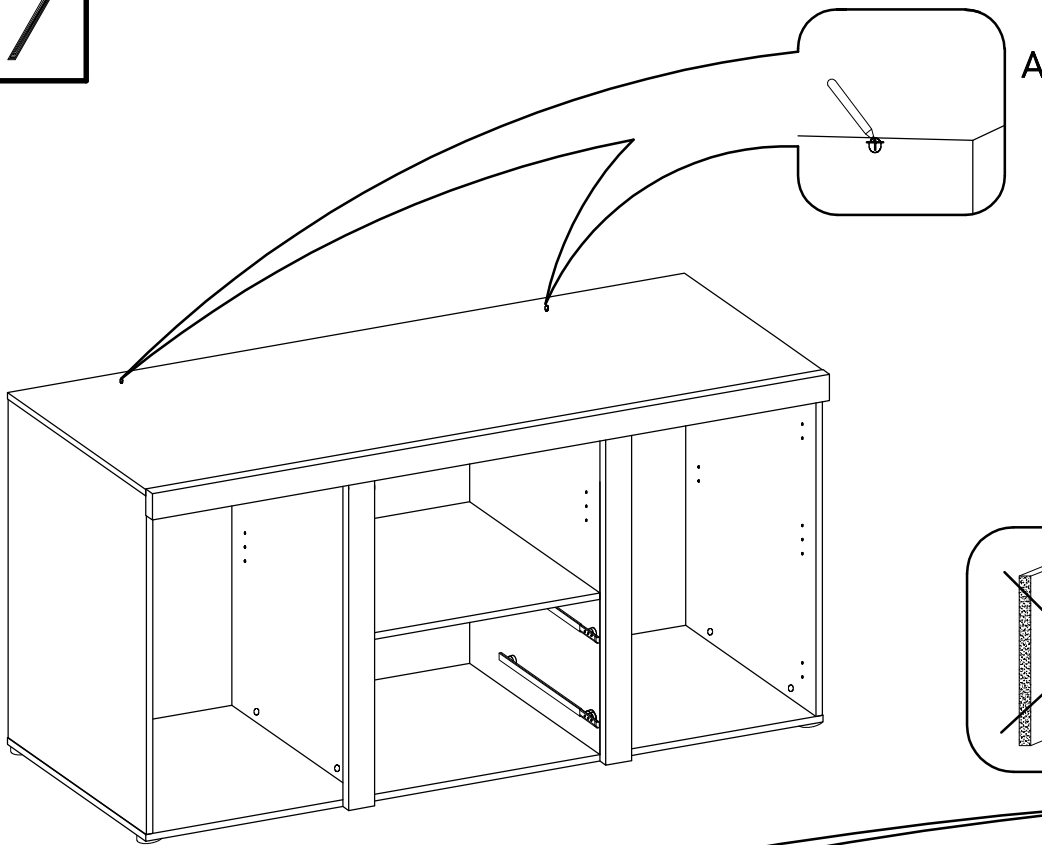
RBA.908




x9

### A.



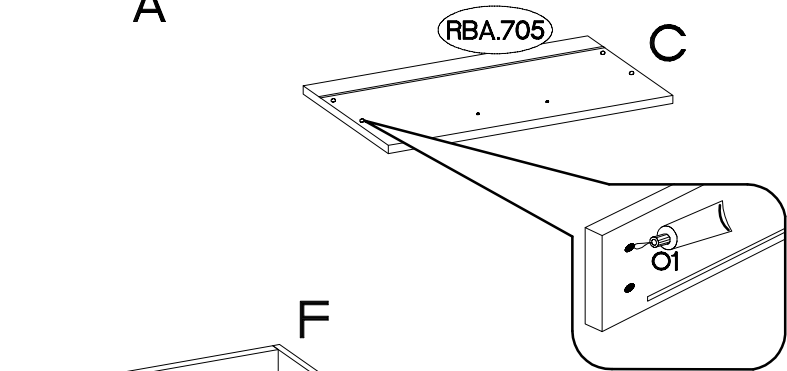
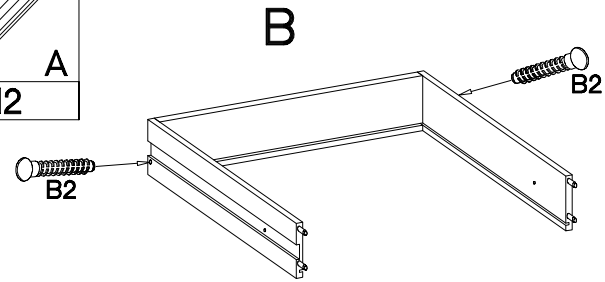
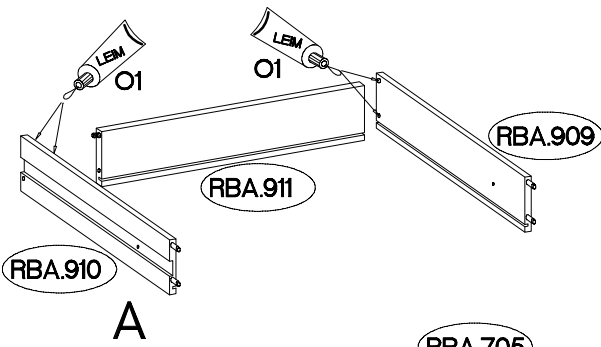
7



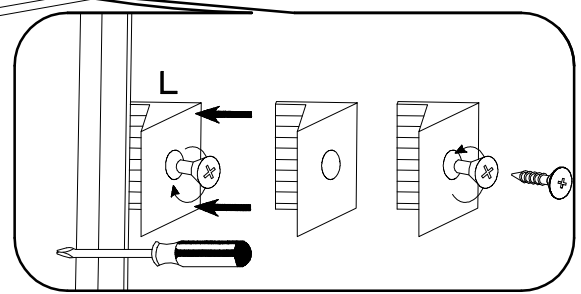
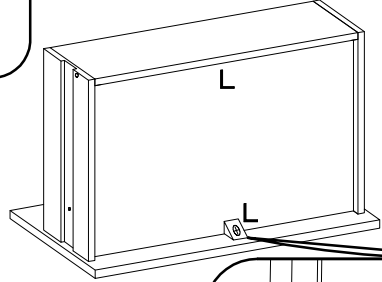
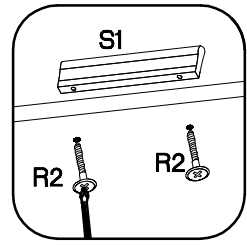
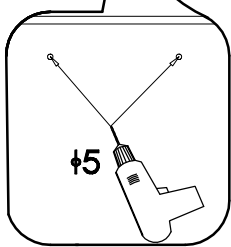
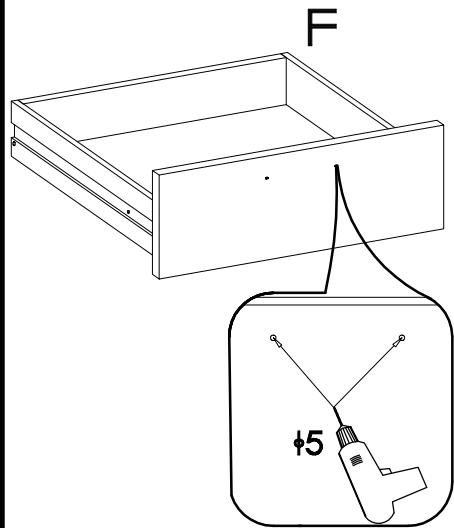
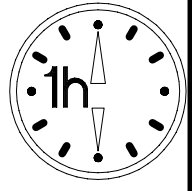
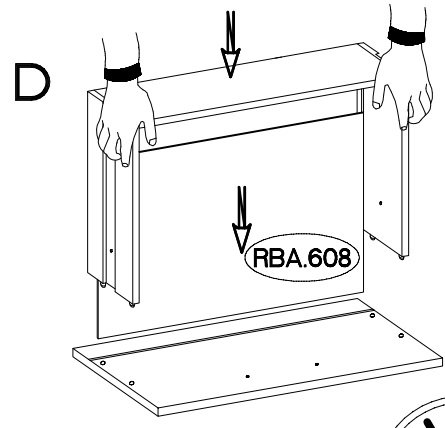
†10x50mm		†3.5x13mm
		
O7	L9	P5
2	2	2

8

+6x42mm B2 4	O1 1	L=128mm S1 2	+4.0x30mm R2 4	L 4	+8x30mm A 12
--------------------	---------	--------------------	----------------------	--------	--------------------

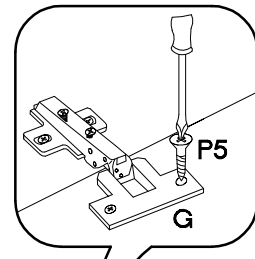
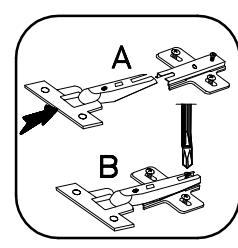


x2

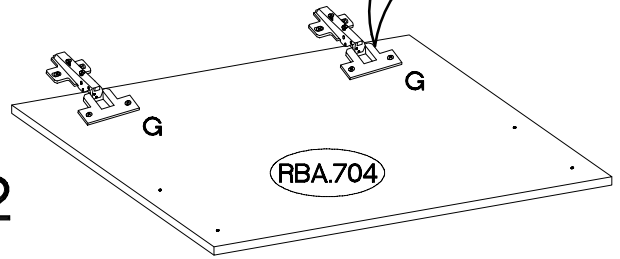


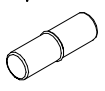
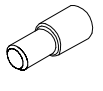
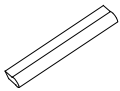
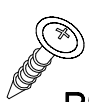


9

H=0 H 4	+35/0mm G 4	+3.5x13mm P5 8
---------------	-------------------	----------------------



x2



$\varnothing 5/16\text{mm}$  <b>J3</b> 8	 <b>J12</b> 4	$L=128\text{mm}$  <b>S1</b> 2	$\varnothing 4.0 \times 30\text{mm}$  <b>R2</b> 4	$M4 \times 9\text{mm}$  <b>U1</b> 4	 <b>E</b> 16
---	---	--	--	--	--

